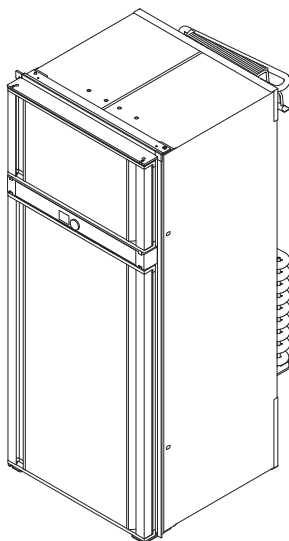


↗ DOMETIC

REFRIGERATION

10-SERIES



RMD10T, RMD10XT

EN

Absorption refrigerator

Operating manual

Please read this instruction manual carefully before first use, and store it in a safe place. If you pass on the product to another person, hand over this instruction manual along with it.

Table of contents

1	Description of symbols	2
2	Safety instructions	3
3	Accessories	6
4	Intended use	7
5	Technical description	7
6	Using the refrigerator	9
7	Troubleshooting	26
8	Cleaning and maintenance.	32
9	Warranty	34
10	Disposal	34
11	Technical data	35

1 Description of symbols



WARNING!

Safety instruction: Indicates a hazardous situation that, if not avoided, could result in death or serious injury.



CAUTION!

Safety instruction: Indicates a hazardous situation that, if not avoided, could result in minor or moderate injury.



NOTICE!

Indicates a situation that, if not avoided, can result in property damage.

**NOTE**

Supplementary information for operating the product.

2 Safety instructions

The manufacturer accepts no liability for damage in the following cases:

- Damage to the product resulting from mechanical influences and incorrect connection voltage
- Alterations to the product without express permission from the manufacturer
- Use for purposes other than those described in the operating manual

2.1 General safety



WARNING! Failure to obey these warnings could result in death or serious injury.

Electrocution hazard

- Installation and removal of the device may only be carried out by qualified personnel.
- Do not operate the device if it is visibly damaged.
- This device may only be repaired by qualified personnel. Improper repairs can result in considerable danger or damage to the device.

Fire hazard

- The refrigerant in the refrigerant circuit is highly flammable. In the event of any damage to the refrigerant circuit (smell of ammonia):
 - Switch off the device.
 - Avoid naked flames and sparks.
 - Air the room well.

Explosion hazard

- Do not store any explosive substances, such as spray cans with propellants, in the device.

Health hazard

- This device is not intended for use by persons (including children) with reduced physical, sensory or mental capabilities, or lack of experience and knowledge, unless they have been given supervision or instruction concerning use of the device by a person responsible for their safety.

- Cleaning and user maintenance may not be carried out by unsupervised children.
- Children must be supervised to ensure that they do not play with the device.

**NOTICE! Damage hazard**

- Keep the condensation opening clean at all times.
- The device lighting may only be replaced by customer service.
- Do not use a high-pressure cleaner near the ventilation grill when cleaning the vehicle.
- Attach the winter covers of the ventilation grille (accessories) when the vehicle is cleaned from the outside or not used for a prolonged period of time.

2.2 Safe operation

**CAUTION! Failure to obey these cautions could result in minor or moderate injury.****Risk of injury**

- Close and lock the device door before beginning a journey.
- The cooling aggregate at the back of the device becomes very hot during operation. Protect yourself from coming into contact with hot parts when removing ventilation grills.

**NOTICE! Damage hazard**

- Do not use electrical devices inside the device.
- Ensure that the ventilation openings are not covered.

2.3 Safety when operating with gas

**WARNING! Failure to obey these warnings could result in death or serious injury.****Explosion hazard**

- **Only** operate the device at the pressure shown on the type plate. Only use pressure controllers with a fixed setting which comply with the national regulations.
- While driving only operate the device with gas if the vehicle manufacturer allows the operation of the gas system while driving (see vehicle's manual).

- Check the national requirements for operating the device with gas during driving.
- Never operate the device with gas:
 - At petrol stations
 - In parking garages
 - On ferries
 - While transporting the caravan or mobile home with a transport vehicle or tow truck
- Never use a naked flame to check the device for leaks.
- In case of gas odor:
 - Close the gas supply cock and the valve on the cylinder.
 - Open all windows and leave the room.
 - Do not press an electric switch.
 - Put out any naked flames.
 - Have the gas system checked by a specialist.

**NOTICE! Damage hazard**

- Only use propane or butane gas, **not** natural gas (see rating plate).

**NOTE**

- Ignition problems may occur at altitudes above 1000 m. Switch to a different energy source.

2.4 Safety when operating

**CAUTION! Failure to obey these cautions could result in minor or moderate injury.****Health hazard**

- Make sure that you only put items in the device which may be chilled at the selected temperature.
- Opening the door for long periods can cause significant increase of the temperature in the compartments of the device.
- Food may only be stored in its original packaging or in suitable containers.
- Store raw meat and fish in suitable containers in the device, so that it is not in contact with or drip onto other food.

- If the device is left empty for long periods:
 - Switch off the device.
 - Defrost the device.
 - Clean and dry the device.
 - Leave the door open to prevent mould developing within the device.

Risk of injury

- The device door or the freezer door can completely detach from the device if used incorrectly. Push the doors closed until you hear a clear click at the top and bottom.
- Do not lean on the open device door.



NOTICE! Damage hazard

- If the door is not locked correctly on the opposite side, push on that side at the top and the bottom until it locks in place.
- Only store heavy objects such as bottles or cans in the device door, in the vegetable compartment or on the bottom shelf.



NOTE

- Ask your vehicle manufacturer if the battery management of your vehicle shuts down the devices to protect the battery.
- Put the device door and the freezer door into the winter position if you are not going to use the device for a longer period of time. This prevents mold from forming.
- For ambient temperatures of +15 °C to +25 °C, select the average temperature setting.

3 Accessories

Description

Winter cover LS300 for the ventilation grill

Optional Battery pack Pack R10-BP for stand-alone gas operation

4 Intended use

The device is suitable for:

- Installation in caravans and motor homes
- Providing refrigeration, freezer and storage space for food

The device is **not** suitable for:

- Storing medications
- Storing corrosive substances or substances that contain solvents
- Freezing previously unfrozen food

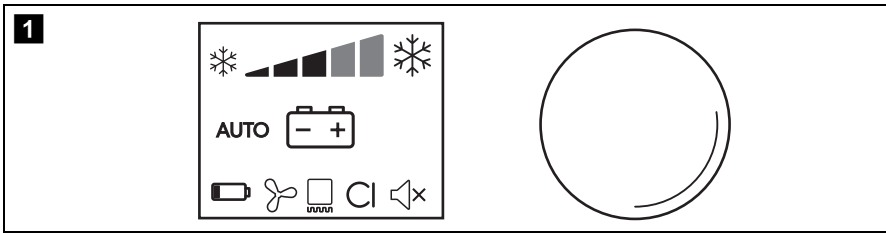
5 Technical description

The refrigerator is an absorber refrigerator and is designed for operation

- on a 12 V DC power supply
- on an AC power supply
- with liquefied gas (propane or butane)




The refrigerator has an automatic operating mode that selects the most economical connected type of energy. The refrigerator unit operates silently.

5.1 Control and display elements



The TFT display has the following operating and display elements (fig. **1**):

Symbol	Description
	Cooling capacity indicator
	Operating with AC power
	Operating with DC power
	Operating with gas
AUTO	Automatic mode: In automatic mode the refrigerator automatically selects the most economical operating mode according to the following priority: <ul style="list-style-type: none"> • AC power • DC power • Gas
	Battery: Symbol lights up when the battery packs (optional) are inserted and the device is in stand-alone gas mode.
	Fan: Symbol lights up when die fan function is activated.
	Frame heater: Symbol lights up when the frame heater is on. The frame heater of the ice compartment reduces condensation.
CI	Symbol lights up when the refrigerator is connected to the CI bus.
	Dim TFT display After 30 seconds, the brightness of the display is reduced to the set level.

Symbol	Description
	Beep off: <ul style="list-style-type: none"> • Error messages and warnings are not signalled acoustically. • Door left open for a longer period is signalled acoustically.
	Beep on: Error messages, warning messages and door left open are signalled acoustically.
	Confirm selection and return to the main menu.

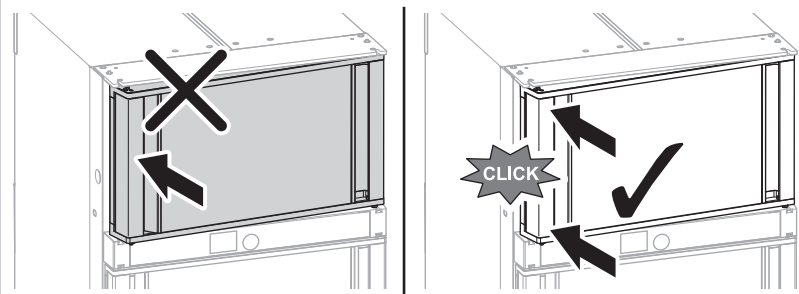
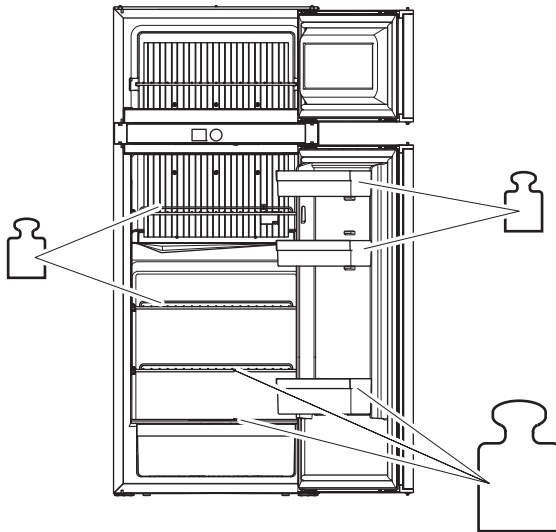
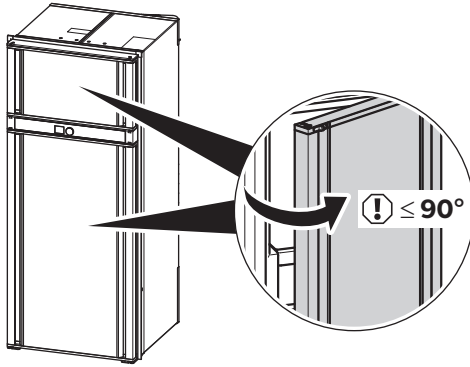
6 Using the refrigerator



NOTE

- Before starting your new refrigerator for the first time, clean it inside and outside with a damp cloth for hygienic reasons.
- When using the refrigerator for the first time, there may be a mild odour which will disappear after a few hours. Air the living space well.
- Park the vehicle so that it is level, especially when starting up and filling the refrigerator before setting off on a journey.
- The cooling performance can be affected by:
 - the ambient temperature (e.g. when the vehicle is exposed to direct sunlight)
 - the amount of food to be refrigerated
 - how often you open the door

NOTICE



6.1 Tips for using the refrigerator optimally

- Do not store goods in the refrigerator for the first 12 hours of operation.
- Protect the interior of the vehicle from warming up excessively (e.g. sunshades in the windows, air conditioner).
- Protect the refrigerator from direct sunlight (e.g. sunshades in the windows).

6.2 Operating in low outdoor temperatures



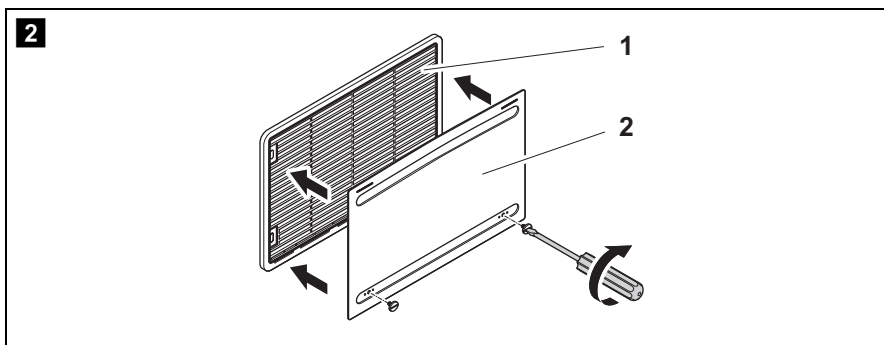
NOTICE!

In AC operation and DC operation, install **both** winter covers. In gas mode or automatic mode, install only the **lower** winter cover. This prevents heat from building up and the fumes from the refrigerator can be extracted properly.



NOTE

Cold air can restrict the performance of the cooling unit. Attach the winter covers if you experience a reduced cooling capacity at low ambient temperatures.



- Install **both** WA 300 winter covers as shown (fig. **2**).

6.3 Operation at high ambient temperatures

At high ambient temperatures in combination with high levels of humidity, condensation may form on the ice compartment frame. The ice compartment is equipped with a frame heater to reduce condensation on the frame of the ice compartment.

The frame heater is switched on continuously in the following operating modes:

- AC operation
- DC operation (when the engine of the vehicle is running)
- In gas operation, the frame heater can be switched on manually.

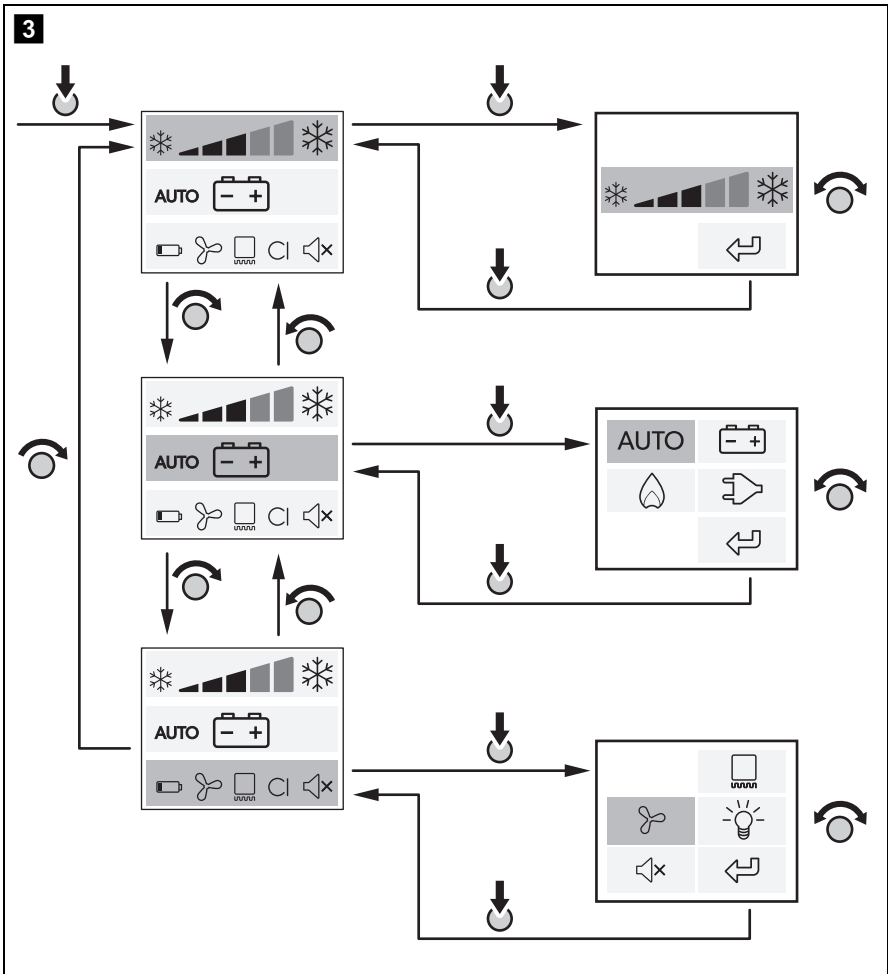
6.4 Switching on the refrigerator

- Press for 2 seconds the control knob
- ✓ The refrigerator starts with the last selected settings.

6.5 Switching off the refrigerator

- Press for 4 seconds the control knob.
- ✓ A beep sounds and the refrigerator switches off. The refrigerator starts with the last selected type of power and settings.


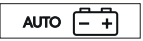

6.6 Operating the refrigerator




Menu navigation (fig. 3)

- Press the control knob to activate the TFT display.

The main menu is divided into three lines:

Main menu	Details menu
	Cooling capacity menu
	Operating mode menu
	Settings menu

- Turn the control knob to select the desired detail menu.
- Press the control knob to open the selected detail menu.
- Turn the control knob to navigate through the detail menu.
- ✓ Selected settings are displayed in blue.
- ✓ Press the control knob to choose the selected setting.
- Confirm the selection with .


6.7 Tank stop mode



WARNING!

Turn off the refrigerator or select a different operating mode if refuelling takes longer than 15 minutes.

If the vehicle's ignition is switched off, the refrigerator will switch to tank stop mode for safety reasons. This blocks gas operation for 15 minutes. After that, the refrigerator automatically switches back to regular, automatic mode.

In tank stop mode the symbol  is displayed.

6.8 Stand-alone gas operation (accessory)



WARNING!

In stand-alone gas mode, the refrigerator must be switched off manually during refuelling.



NOTE

- When there is no AC or DC connection, the batteries are drained even when the refrigerator is off.
- Remove the batteries when the refrigerator is not in use (risk of leakage).

For stand-alone gas mode, the optional battery packs must be installed. A connection to an AC or DC power supply is then no longer necessary.

When using 12 batteries (type AA), the refrigerator can be operated in stand-alone gas mode for 2 to 3 days.

Please note the following special features for stand-alone gas mode:

- The refrigerator interior lighting remains switched off.
- The display turns off 2 seconds after the last activity.
- The display switches on briefly every 15 seconds. This indicates that the refrigerator is on.
- If there is a pending error message, the display switches on permanently.

Stand-alone gas mode is indicated by symbols  and .

The batteries of the battery packs must be replaced when the error "E 14" is displayed.

6.9 Fan operation

When switching on the device, the fan is switched on for a short time (function test). During the device's operation the fan only switches on:

- When the ambient temperature is above 32 °C.
- When the set cooling temperature is not reached within 2 hours.
- When the fan function is activated.



NOTE

In delivery state, the fan function is activated.

The fan operation is indicated by the symbol .

6.10 Setting the cooling capacity



NOTE

For ambient temperatures of +15 °C to +25 °C, select the average cooling capacity.

- Set the cooling capacity:
Select the desired temperature level in the cooling capacity menu.

6.11 Using the refrigerator door/ice compartment door



CAUTION! – Beware of injury

- The refrigerator door or ice compartment door can completely detach from the device if used incorrectly.
- Do not lean on the open refrigerator door.



NOTE

If the door is not locked correctly on the opposite side, carefully push on the top and bottom of the door on that side until it locks into place.

Closing and locking the refrigerator door/ice compartment door

- Press the door shut until you hear it clearly click at the top and bottom.
- ✓ The door is now closed and locked.

6.12 Notes on storing food



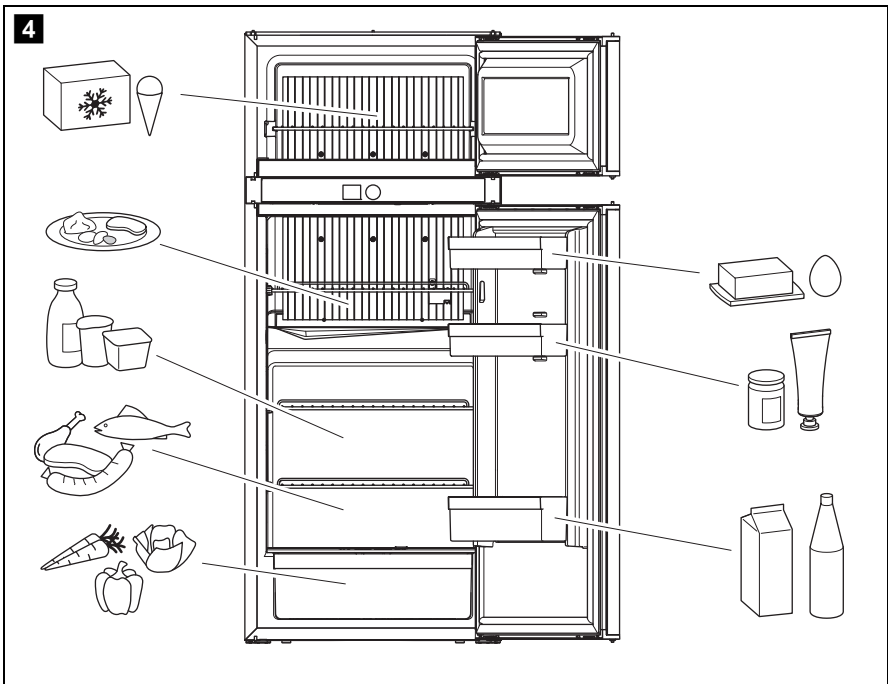
CAUTION! – Health hazard!

- Please check if the cooling capacity of the refrigerator is suitable for the food you want to cool.
- Opening the door for long periods can cause significant increase of the temperature in the compartments of the refrigerator.
- Store raw meat and fish in suitable containers in the refrigerator, so that raw meat and fish is not in contact with or drip onto other food.
- Food may only be stored in its original packaging or in suitable containers.
- The ice compartment is suitable for making ice cubes and for keeping frozen food. It is not suitable for freezing previously unfrozen food.
- If the refrigerator is exposed to a room temperature of below +10 °C for a prolonged period of time, an even temperature of the ice compartment cannot be guaranteed. This can lead to an increase in the ice compartment temperature and the stored goods may defrost.



NOTICE!

- The maximum weight per door shelf is 6 kg. The maximum weight for the entire door is 7.5 kg.
- Store heavy objects such as bottles or cans only in the refrigerator door, in the lower storage compartment or on the bottom shelf.
- Do not keep carbonated drinks in the ice compartment.



► Store food as shown (fig. **4**).





Using the VG fresh base



NOTICE!

The maximum load capacity of the VG fresh base is 5.5 kg.

Using the slider in the VG fresh base, the humidity in the vegetable compartment below can be regulated:

Goods to be cooled	Optimal humidity	Slider position
Vegetables 	High 	► Close the slider.
Fruit 	Low 	► Open the slider.

6.13 Setting the cooling capacity



NOTE

For ambient temperatures of +15 °C to +25 °C, select the average cooling capacity.

- Set the cooling capacity:
Select the desired temperature level in the cooling capacity menu.

6.14 Using the refrigerator door/ice compartment door



CAUTION! – Beware of injury

- The refrigerator door or ice compartment door can completely detach from the device if used incorrectly.
- Do not lean on the open refrigerator door.



NOTE

If the door is not locked correctly on the opposite side, carefully push on the top and bottom of the door on that side until it locks into place.

Closing and locking the refrigerator door/ice compartment door

- Press the door shut until you hear it clearly click at the top and bottom.
- ✓ The door is now closed and locked.

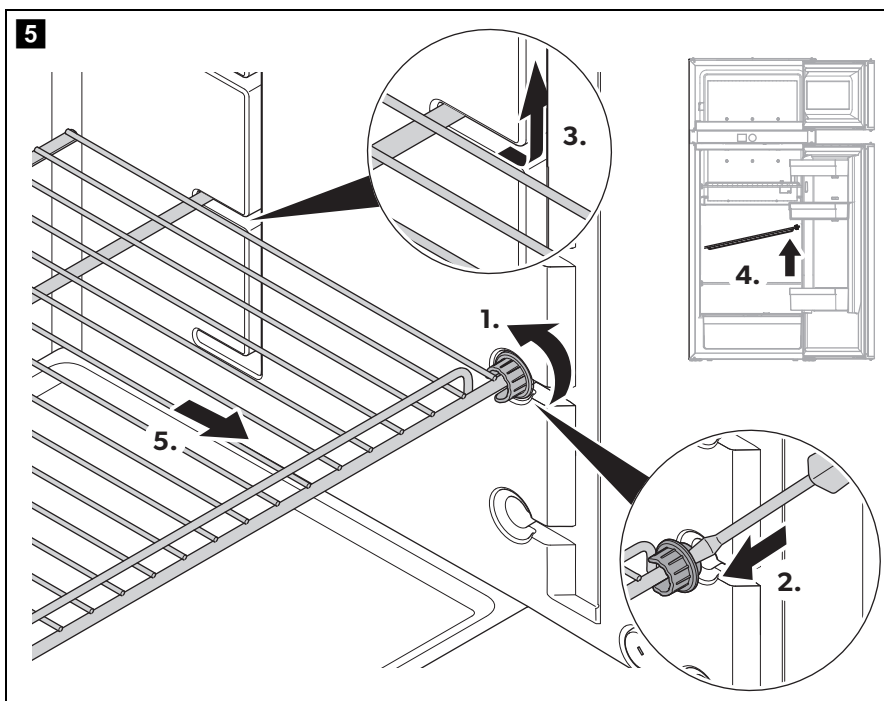
6.15 Positioning the shelves



WARNING! Children beware!

All shelves are fixed in place to prevent children from climbing inside the refrigerator.

- Only remove the shelves for cleaning purposes.
- Refit the shelves and lock them in place.



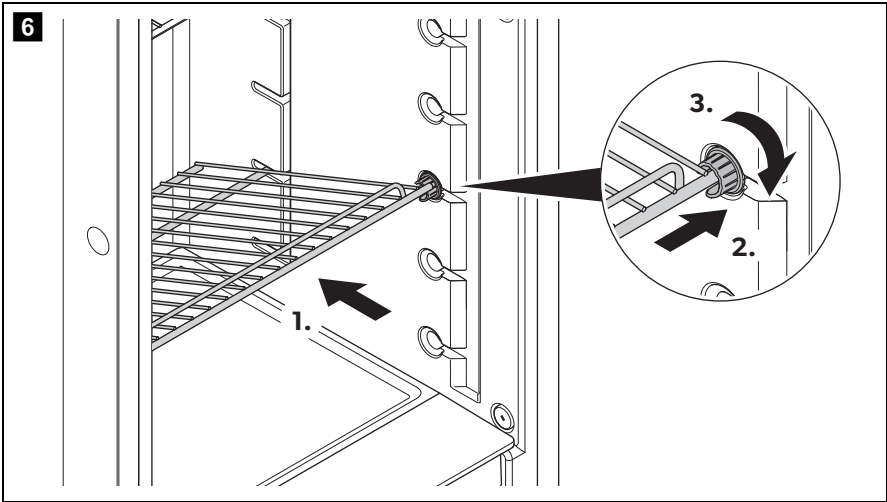
- Remove the shelf as shown (fig. **5**).
- Re-assemble the shelf in the reverse order.

Positioning the shelf at an angle for wine bottles

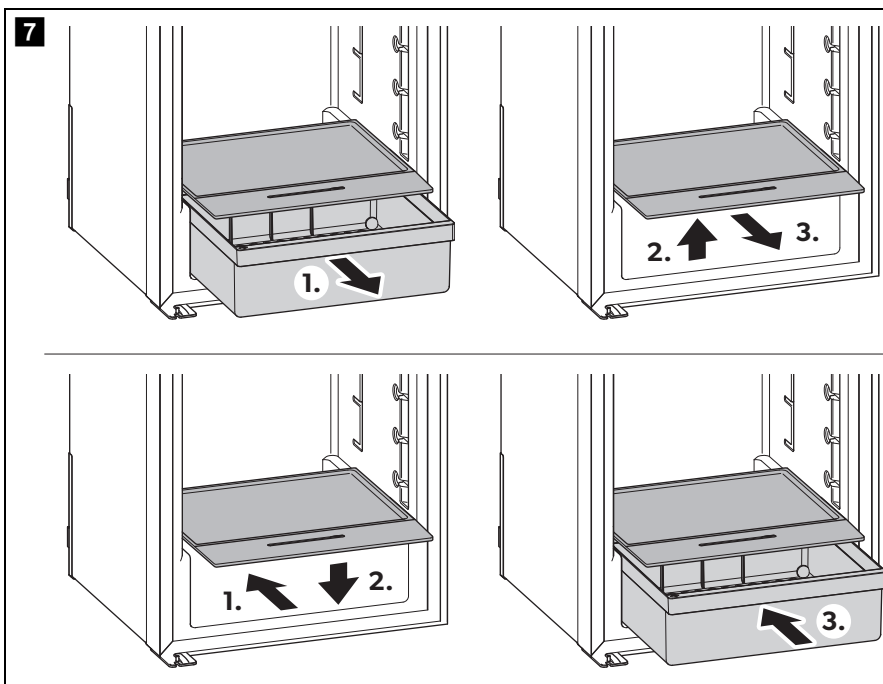


NOTICE!

While driving, the shelf in the angled position must **not** be filled.



► Change the position of the shelf as shown (fig. **6**).

Removing and inserting the VG-Fresh base (only RMD10.5T, RMD10.5XT)

► Proceed as shown (fig. **7**).

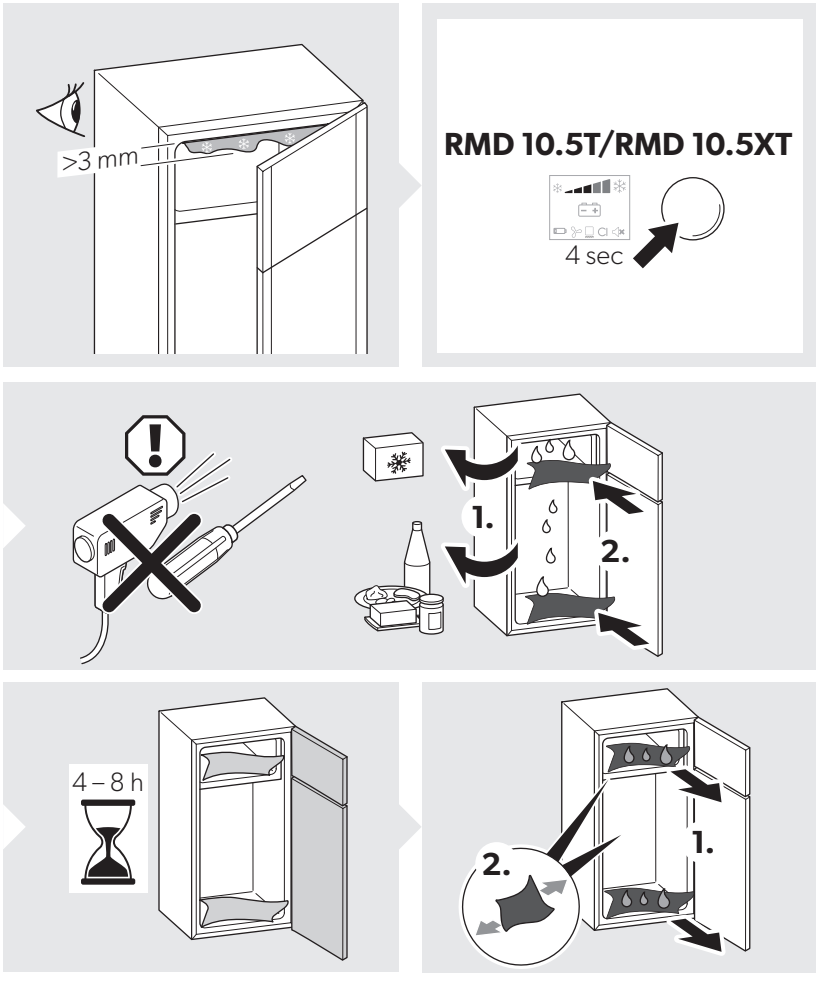
6.16 Defrosting the refrigerator**NOTICE!**

Do not use mechanical tools or a hair dryer to remove ice or loosen frozen items.

**NOTE**

Over time, frost builds up on the cooling fins inside the refrigerator. If this layer of frost is about 3 mm thick, you should defrost the refrigerator.

8



► Proceed as shown (fig. 8).

6.17 Positioning the refrigerator door in the winter position



CAUTION!

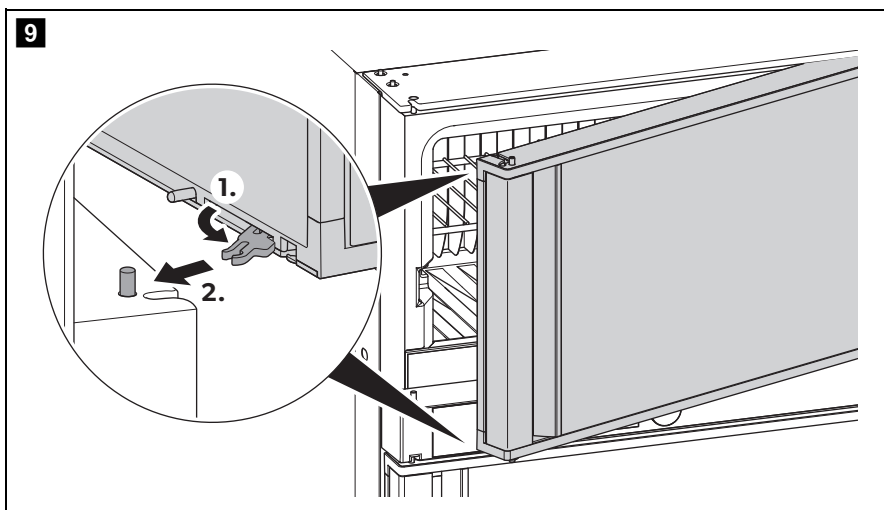
The winter position must **not** be used while driving. Ensure that the refrigerator door and the freezer door are closed and locked before starting to drive.



NOTICE!

Put the refrigerator door and the freezer door into the winter position if you are not going to use the refrigerator for a longer period of time. This prevents mould from forming.

Proceed as follows to bring the refrigerator door into the winter position:



- Defrost the refrigerator (see chapter "Defrosting the refrigerator" on page 22).
- At the top and bottom of the door in the area of the locking mechanism, pull the hook all the way out (fig. **9**).
- Press the refrigerator door.
- ✓ The protruding pin snaps into the hook.
- Install both WA 300 winter covers (accessory) as shown in fig. **2**, page 11.

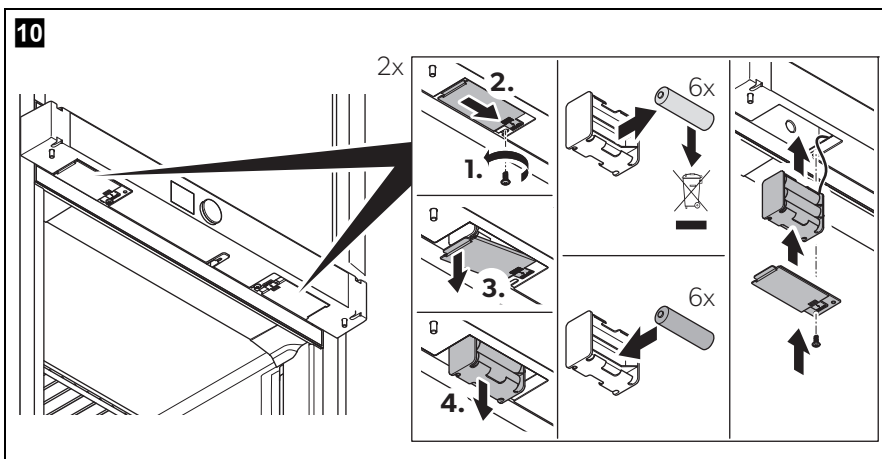
Open the door in winter mode as follows:

- Pull the door toward you.
- Push in the protruding hooks at the top and bottom of the door.
- If necessary, remove the winter cover.

6.18 Optional battery packs

If the vehicle's own 12 V DC battery power supply is unavailable or if the power supply is cut off while the appliance is in operation, the electronic control unit automatically switches over to the internal battery power (if batteries are inserted).

The compartments for the battery packs (**not included in scope of delivery**) are located on the right and left under the central divider between the main compartment and the freezer compartment. A total of 12 AA batteries are needed.



- Proceed as shown to insert the batteries (fig. 10).

7 Troubleshooting



NOTE

To safely operate 12 V consumer units in the caravan while driving, it must be ensured that the towing vehicle provides sufficient voltage. On some vehicles, the battery management system may automatically switch off the consumer units to protect the battery. Ask your vehicle manufacturer for more information.

Fault	Possible cause	Suggested remedy
With AC operation: The refrigerator does not work.	The fuse in the AC power supply is defective.	Replace the fuse.
	The vehicle is not connected to the AC power supply.	Connect the vehicle to the AC power supply.
	The AC heating element is defective.	Contact an authorized customer service.
With DC operation: The refrigerator does not work.	The fuse in the DC supply is defective.	The fuse on the relay must be replaced. Contact an authorized customer service.
	The vehicle fuse has blown.	Replace the vehicle fuse. (Please refer to the operating manual of your vehicle.)
	The vehicle battery is discharged.	Test the battery and charge it.
	The ignition is not turned on.	Switch on the ignition.
	The DC heating element is defective.	Contact an authorized customer service.
With gas operation: The refrigerator does not work.	The gas cylinder is empty.	Replace the gas cylinder.
	The gas valve is closed.	Twist the valve open.
	Air is in the supply line.	Switch the refrigerator off and on again. Repeat the procedure three or four times if necessary. If available, switch on the stove and repeat the process with the refrigerator if necessary.
In automatic mode: The refrigerator is being operated with gas although it is connected to the AC mains.	The mains voltage is too low.	The refrigerator changes to AC power supply automatically as soon as the mains voltage is sufficient again.

Fault	Possible cause	Suggested remedy
The refrigerator is not adequately cooling.	The ventilation around the cooling unit is not sufficient.	Check that the ventilation grill is not obstructed.
	The evaporator is iced up.	Check whether the refrigerator door closes properly. Make sure that the refrigerator seal fits correctly and is not damaged. Defrost the refrigerator.
	The temperature is set too high.	Set a lower temperature.
	The ambient temperature is too high.	Remove the ventilation grill for a while so that warm air can escape quicker.
	Too much food was placed in the refrigerator at once.	Remove an item of food.
	Too much warm food at once was placed in the refrigerator.	Remove the warm food and leave it to cool down before putting it in again.
	The refrigerator has not been operating for very long.	Check the temperature again after four or five hours.

7.1 Fault messages and signal tones



All faults are indicated by a warning symbol, a fault ID and a beep. The beeping lasts for 2 minutes and is repeated every 30 minutes until the error has been rectified.

If multiple faults occur, the display shows the last fault. The underlying faults are displayed after the last fault has been confirmed.

Faults are indicated by a fault code with a warning symbol (⚠) in the middle of the TFT display.

WARNING type fault messages

All faults of the WARNING type are reset automatically once the fault has been rectified.

Code	Fault	Solution
W01	Defective temperature sensor in the refrigerator compartment	Contact an authorized customer service.
W05	AC power not connected or AC voltage < 190 V	Connect the refrigerator to AC or select a different energy type, e.g. gas or DC.
W06	DC power not connected	Connect the refrigerator to DC or select a different energy type, e.g. gas or AC.
W11	DC overvoltage (> 16 V)	Reduce the DC supply voltage.
	Tank stop mode: Gas operation is blocked for 15 minutes.	Wait 15 minutes or switch to another operating mode.
 W10 + beep	The door is opened for more than 2 minutes.	Close the door.

ERROR type fault messages

All faults of the ERROR type must be reset manually:

- Press the control knob for 2 seconds.
- ✓ A beep sounds.
- ✓ The error has been reset.

Code	Fault	Solution
E03	No connection between power module and display	Contact an authorized customer service.
E07	No cooling capacity in gas mode	Check if the device is at an angle and adjust it if necessary. Reset the error. Contact customer service if this error occurs again.
E08	No cooling power in AC mode	Check if the device is at an angle and adjust it if necessary. Reset the error. Contact customer service if this error occurs again.

Code	Fault	Solution
E09	No cooling power in DC mode	Check if the device is at an angle and adjust it if necessary. Reset the error. Contact customer service if this error occurs again.
E12	Gas valve check error	Gas operation is not possible. Reset the error. Contact customer service if this error occurs again.
E13	Internal communication error	Gas operation not possible. Reset the error. Contact customer service if this error occurs again.
E14	In stand-alone gas mode: The battery charge of the battery packs is too low	Insert new batteries and then reset the error.
E50	Gas lock after 3 ignition attempts	Ignition not possible. The gas cylinder is empty. Replace the gas cylinder. Reset the error.
E51	Gas lock, internal error in the power module	Reset the error. Contact customer service if this error occurs again.
E52	Ground contact, gas valve	Reset the error. Contact customer service if this error occurs again.
E53	Ground contact, ignition electrode	Reset the error. Contact customer service if this error occurs again.

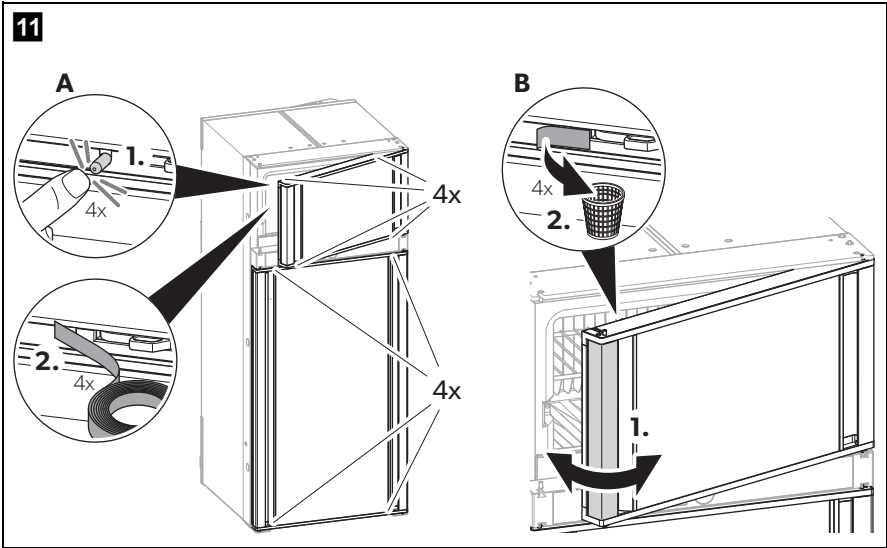
7.2 Refrigerator door/freezer door

Refrigerator door/freezer door does not close



NOTE

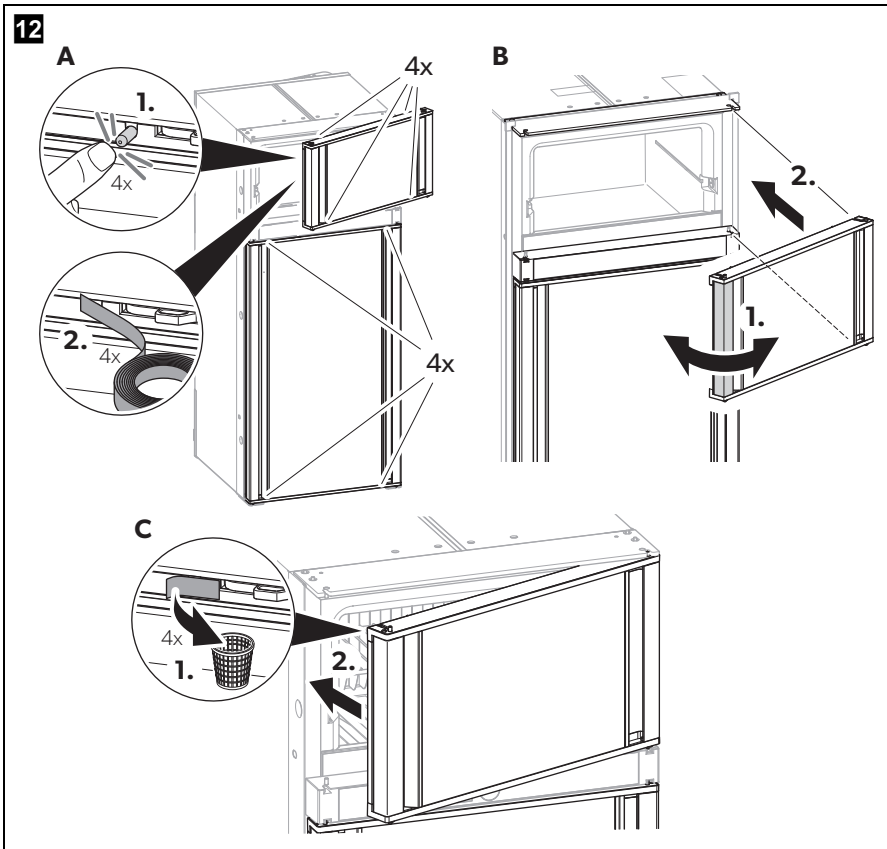
If the door no longer closes, then the door handle is blocked on the opened side.



➤ Remove the door handle blockage as shown (fig. **11**).

Refrigerator door/freezer door has completely detached from the device**CAUTION! – Beware of injury**

The door can completely detach from the device if the locking pin has been tampered with or is twisted.



► Insert the door as shown (fig. **12**).

8 Cleaning and maintenance



WARNING!

Always disconnect the refrigerator from the energy supply before you clean and service it.



NOTICE!

For cleaning, never use sharp cleaning agents or hard or pointed tools to remove ice or to loosen objects which have frozen in place.

- Clean the refrigerator regularly and when it gets dirty using a damp cloth.
- Make sure that no water drips into the seals. This can damage the electronics.
- Wipe the refrigerator dry with a cloth after cleaning.
- Check the condensate drain regularly.
Clean the condensate drain when necessary. If it is blocked, the condensate collects on the bottom of the refrigerator.
- Make sure that the ventilation grills in the outer wall of the motorhome or caravan and the refrigerator roof ventilator are free from dust and pollutants. This ensures that the heat generated during operation can be dispersed, the refrigerator is not damaged and the cooling capacity is not reduced.

8.1 Cleaning the gas burner



WARNING!

- Close the gas valve to the refrigerator before cleaning the gas burner.
- Allow the burner to cool down before cleaning it.
- Do not modify the gas equipment. The gas burner can be cleaned without removing the gas equipment.

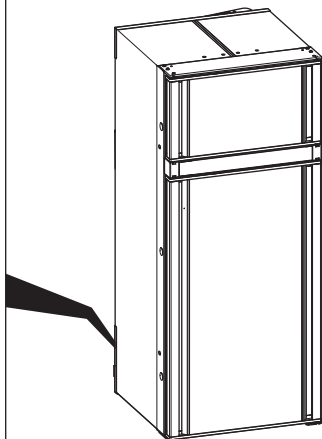
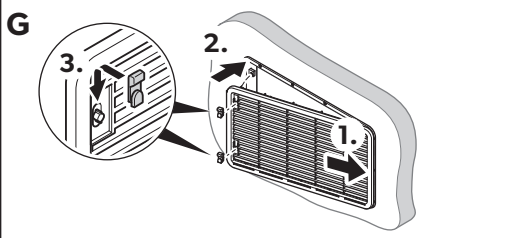
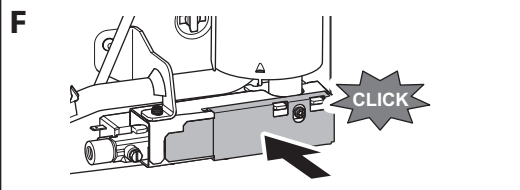
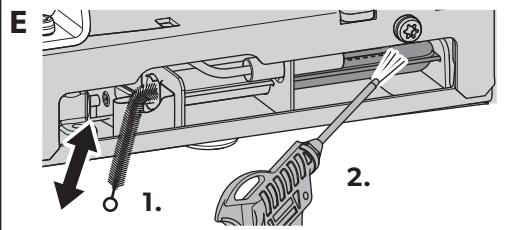
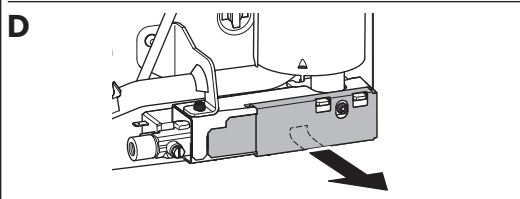
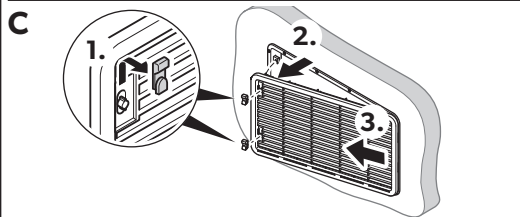
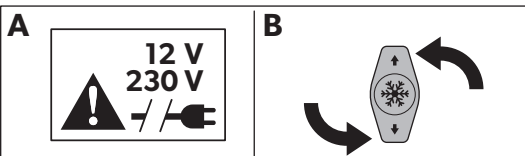


NOTE

- Dirt in the gas burner becomes noticeable by poor ignition or deflagration.
- The manufacturer recommends cleaning the burner at least once a year.
- When using liquefied petroleum gas, the cleaning interval, depending on the degree of pollution, is reduced to half yearly or quarterly.

- Clean the gas burner as shown (fig. **13**, page 33).

13



8.2 Maintenance



WARNING!

Work on gas and electrical installations may only be performed by qualified technicians.

- Have the gas system and connected flues inspected before initial operation and then every two years by an authorized professional to ensure they comply with the national safety requirements.
- Keep a record of any maintenance performed.

9 Warranty

The statutory warranty period applies. If the product is defective, please contact the manufacturer's branch in your country (see back page) or your retailer.

For repair and warranty processing, please include the following documents when you send in the device:

- A copy of the receipt with purchasing date
- A reason for the claim or description of the fault

10 Disposal



NOTE

This device contains flammable insulation blowing gas.
Only have the device removed and disposed of by a specialist.



Protect the environment!

Do not dispose of any batteries with general household waste.
Return defective or used batteries to your retailer or dispose of them at collection points.

Mobile living made easy.



dometic.com

**YOUR LOCAL
DEALER**

dometic.com/dealer

**YOUR LOCAL
SUPPORT**

dometic.com/contact

**YOUR LOCAL
SALES OFFICE**

dometic.com/sales-offices

A complete list of Dometic companies, which comprise the Dometic Group, can be found in the public filings of:
DOMETIC GROUP AB Hemvärnsgatan 15 SE-17154 Solna Sweden